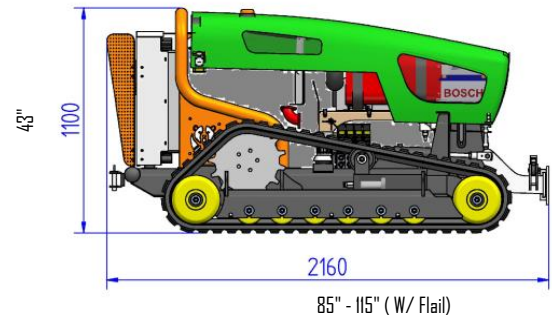
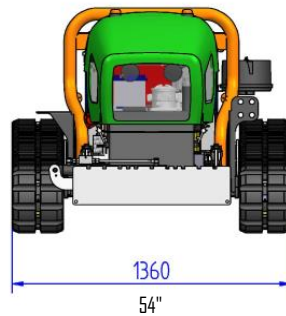
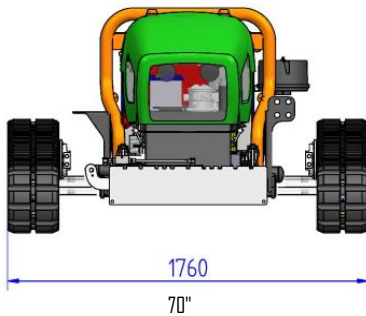


GREEN CLIMBER LV600: REMOTE-CONTROLLED TRACTOR MOWER WITH FLAIL



Innovative safety features for easy operation even on the harshest slopes



TECHNICAL SPECIFICATIONS

Dry net weight	2,850 LBS
Max work gradient	60°
Accessory side shifting Hydraulic + manual (mm)	+ 16 Inches
Speed	5.5 MPH
Engine: Kohler Diesel Intercooler	KDI 1903 TCR Diesel, Tier 4 Final
N° cylinders	3
Engine power (Hp/rpm)	56/2400
Engine torque (Nm@rpm)	225/1500
Engine Cooling	Liquid
Fuel tank	10 Gallon
Hydraulic oil capacity	12.4 Gallon

FLAIL TECHNICAL SPECIFICATIONS

Working width	Total width	Weight	Oil flow	Rotating speed	Working pressure
51 Inches	57 Inches	500 LBS	65L/min	3300 rpm/min	220 Bar

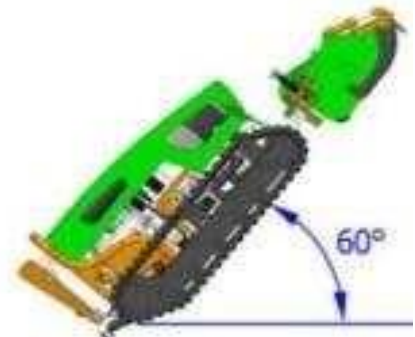
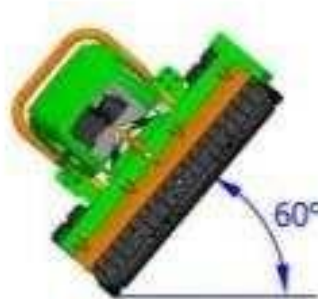
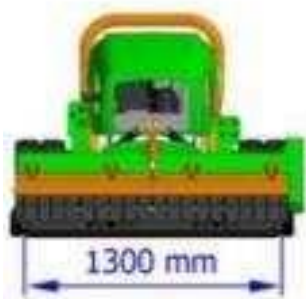
THE GREEN CLIMBER LV600

Green Climber LV600 is a remote-controlled, steep terrain mower capable of operating on slopes up to 60 degrees, ALL DIRECTIONS. Its remote operation allows the operator to be at a safe distance, with anywhere from 100 to 1,000 ft radio operation capacities. The Tier IV Final Kohler engines provide the ultimate power. The LV600 come standard with high performance tracks and a hydraulically expanding track system. Increase stability with the push of a button! Advanced features such as the 10 gallon fuel tank, on-board battery charger, flail down-pressure, and heavy hydraulic flow, take the Green Climbers a cut above the competition.

Green Climber Defining Attributes

Perfect Traction On Extreme Slopes

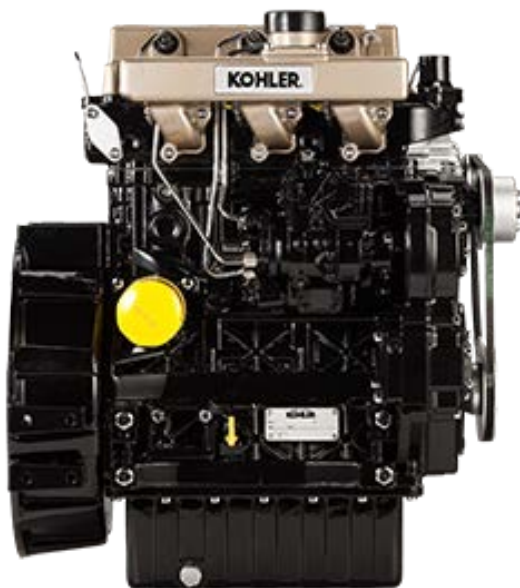
The LV600's undercarriage expands up to 16" to give it an aggressive hold on steep terrain. Its auto-corrective electronic steering makes operation smooth and easy!



Going through steep, rocky uneven terrain? From 54 inches, the track width can be increased to **70 inches** to add machine stability and expand weight distribution. This feature allows the Green Climber LV600 to have the lowest center of balance in it's class!



High Performance Engines



Green Climber LV600 is equipped with the Kohler Diesel, TIER IV FINAL, KDI 1903TCR Engine. This Engine is certified to comply with US EPA & California Regulations for non-road Diesel Engines. The 1903TCR is a liquid cooled, 3 cylinder engine with a 56 Horse Power, 225/166@1500rpm Max Torque. Engines are equipped to operate on steep terrain. Their larger oil sump assures for consistent lubrication while operating on extreme grades. (an MDB patent).

KOHLER Engines

GREEN CLIMBER OF NORTH AMERICA
500 E. COSSITT AVENUE
LA GRANGE, IL 60525

WWW.GREENCLIMBERNA.COM / Direct Sales: info@greenclimberna.com

Attachment Side Shifting

The LV600 hydraulics are designed to give the head/attachments flexible movement. The hydraulic controls allow for side shifting: left or right +/- 16"; hydraulic float up to 13", down pressure, and flail safety hood movement (up/down).



- Side Shifting Advantages:

- Allows to work in areas where the machine cannot move: nearby ditches, walls or under structures that are lower than the machine (solar panels guardrails, etc.)
- balances or counter-weights the machine when working on extreme slopes

Flail Floating

The **flail floating** is fully hydraulic (no mechanical stress) It can be set in 2 ways:

- Free floating up-down
- Free up floating and memorized height down floating



Frame

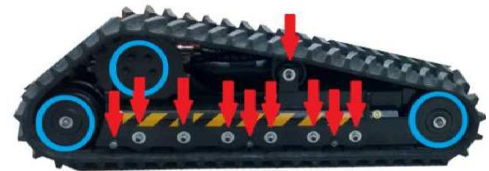
The engine, radiator and pumps are mounted on silent blocks and reinforced to avoid any inertia stress. The main frame is built with **S700 steel**.



Undercarriage

Green Climber offer a special designed undercarriage to mitigate tracking risk

- **Additional Rollers**
- **Rollers with teeth**



Tracks That Suite Your Terrain

- Standard profile
- High profile (standard on all machines)
- Metal spikes



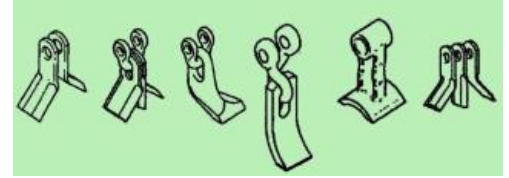
Remote Control

The remote control system can reach a distance of up to 1,000 ft and controls start/stop engine, acceleration, and all the movements of the attachment. Furthermore, it has a self-correcting steering system that, in the case of a very steep slope it can be used to correct the direction. The front-rear-left-right movements are commanded by a single joystick; this allows the operator to always have a free hand to use for other machine commands. There is a battery charger with extra battery in the Green Climber cab. A freshly charged battery always handy allows minimal machine downtime.



The Flail Blades

The Green Climber is equipped, as a standard, with the flail blades; perfect for roadside maintenance. Capable of cutting grass, brush, small trees up to 2-3 inches in diameter. Different knives and hammers are available.



Air filter

Double step air filtering system assures good "engine breathing" with a "Vortex" pre-filter system. It has a rotating device that prevents debris from entering the main air filter; it improves the engine performance and reduces fuel consumption. Additional filters on the Kohler Engine prevent micro debris from entering the engine.



Hydraulic System

The hydraulic system is fully proportional allowing the operator to smoothly control the machine, features and attachments precisely. The track motors have electronic variable speed (EVS) rather than 2 speed. The EVS always gives the maximum torque and power at any speed. The whole hydraulic system is designed to work with lower pressure and temperatures; which benefits the system, leaving less stress on its parts and components.

Automatic Cleaning System for the Radiator: "CLEANFIX"

To ensure the radiator is kept clean a Clean-Fix fan is installed on each Green Climber. This fan automatically reverses to blow out debris collected during operation. From the remote, the operator can initiate the fan reversal by the touch of a button. This feature keeps the radiator clean and free of troublesome micro debris.



Additional Green Climber's Specs Included in Price

- Hood that covers and protects the engine, air filter, etc
- Electronic control panel + beepers + warning lights which give information about the state of the machine: low fuel level, oil pressure, overheating, etc.
- On-Board Battery Charger capable of charging from cigarette lighter socket
- Extra remote battery
- Quick-Connect hydraulic connectors
- Headlights for dim-lit areas
- Roll-bar
- Towing hook
- Emergency cable to be connected to the remote control that allows to use all remote control commands and buttons
- Fast coupling, easily changeable electric/electronic components systems

Green Climber Advantages:

- Requires a single operator to perform the work of 10 people!
- Reduces operation workspace. No more lane closures for mowing
- Easily transported on a trailer or small van
- Reaches areas with very steep slopes (up to 60°) in any direction
- 10 times faster in performance compared to traditional systems
- Maximum safety: the remote control and the special protection of the mower deck prevent objects being thrown towards the operator or bystanders
- Agility to avoid obstacles such as trees, road signs or other objects
- Total safety for operators in any circumstance
- Work at longer distance compared to boom mowers
- Operative costs much lower than tractors with boom mowers
- High flexibility and productivity with all attachments (all movements are remote controlled)
- EPA compliant machinery
- Reduces operator liability
- Increases Owner's Safety Standards

Availability of Different Attachments

Green Climbers can use any type of attachments that comply with its power and weight. The Green Climber comes with a fast coupling plate and a fast coupling hydraulic system. All attachment movements are proportional and maneuvered with the remote control.

