



Green Climber^{NA}

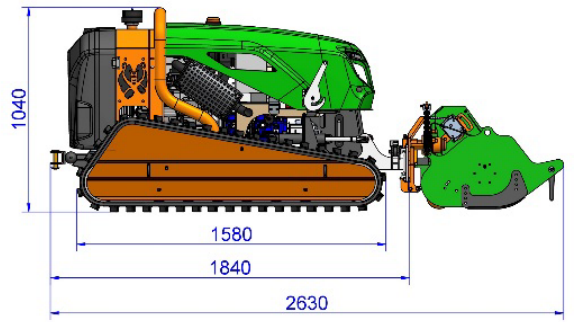
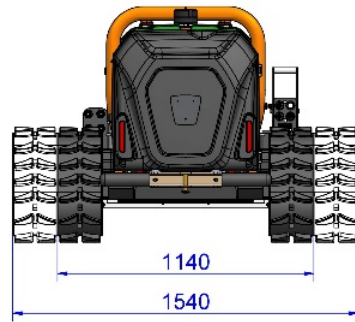
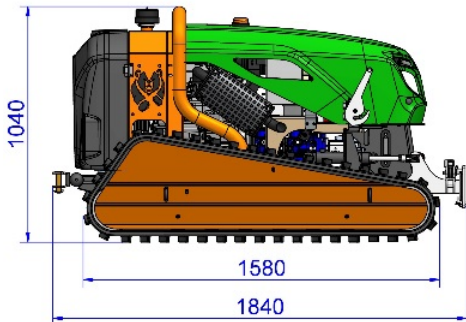
LV300 PRO

REMOTE-CONTROLLED SLOPE MOWER

60° CUTTING ALL DIRECTIONS
NO WINCH NEEDED!



LV300 PRO is a Tier IV Final industrial, remote controlled slope mower with a Yanmar Liquid Cooled Engine. The PRO offers extend-able tracks, shift-able flail head, 2" cutting capacity AND an on-board battery charger.



LV300 PRO SPECIFICATIONS:

Dry Weight:	1720 LBS
Flail Weight:	375 LBS
Max Working Gradient:	60 Degrees, All Directions
Speed:	5.5 MPH
Flail Speed:	3300 RPM

ENGINE SPECIFICATIONS:

Engine Model:	Yanmar 3TNV80F (Tier 4 Final)
Engine Power:	25 Hp
Engine Torque:	85.9 Nm
Cooling Style:	Liquid Cooled
Fuel Tank Capacity:	5.6 Gallons

ADDITIONAL FEATURES:

Flail Side Shift: 16 Inches L & R
Track Extension: 16 Inches
Remote Range: 1,000 Ft
On-Board Batter Charger
Clean-Fix Automated Fan
Digital Computer with Maintenance Notifications